

LED EP38-5000ew

Part #: EBP38DM/B/18.5W/1400/40D/30K/E26/E Bulb Class: PAR38



Product Description

LED EP38-5000ew delivers superior brightness, valuable energy savings and long lasting performance. This PAR38 LED Short Neck bulb is ideal for ambient lighting or general purpose applications due to its uniform *soft white light (3000K) and replaces conventional 120 Watt incandescent light bulbs. Enjoy features such as: instant on, dimming options, shatter resistance and mercury free.



Estimated Energy Cost: \$2.22 per year

*Note: Design, features and specifications subject to change without notice. Some features may not be available on all models. For more information regarding dimmer compatibility please visit: www.eurilighting.com or call 1-888-743-5766

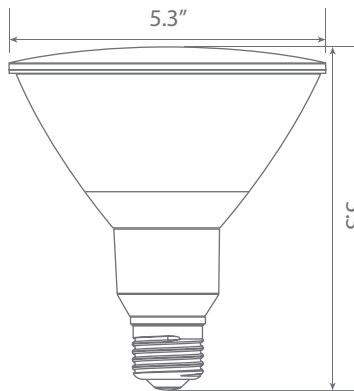
Specifications

Input Power	Input Voltage	Lumen Output	Beam Angle	Center Beam	CCT
18.5 W	120V/60Hz	1400 lm	40°	2899	3000 K
CRI	Luminous Efficacy	Power Factor	Input Current	Base/Cap	Lamp Lifespan
90+	75 lm/W	0.9	0.1 A	E26	25,000 Hrs.

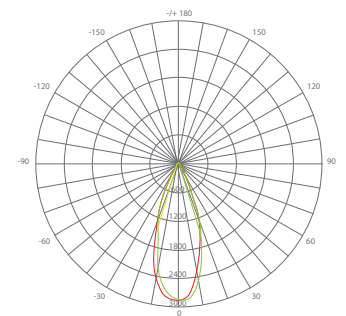
Product Features

- Dimmable
- Instant-On/Off
- Mercury Free
- Damp Rated

Product Dimensions



Product Photometric Data



Euri Lighting | A Division of **IRTRONIX** Inc.