



► Firebolt® Class 2 LED | Beacon

FEATURES

- | | |
|---|-----------------------------|
| (14) selectable flash patterns | Polycarbonate base and dome |
| Built-in permanent/ ½" pipe mount base | Multi-voltage, 12-24 VDC |
| Magnet mount models with cigarette plug available | Five-year LED warranty |

APPROVALS

- SAE J845 Class 2

A superior warning signal

The Firebolt® LED beacon features an innovative Federal Signal designed LED emitter that produces a superior warning signal to promote work zone safety. The LED technology in the Firebolt LED allows for a minimal amp draw of less than 0.5 Amp while meeting Class 2 standards.

Power Select™ feature

The Firebolt LED offers (14) user selectable flash patterns through Federal Signal's patented Power Select™ feature. The Power Select allows users to scroll through flash patterns by simply following a sequence of applying power to the unit 3 times in a row which will put the beacon into programming mode.

Built for versatility and durability

Designed to meet the demands of a variety of work zones including snow plows, forklifts, utility trucks and construction vehicles; the Firebolt LED is made of a shatterproof, polycarbonate dome and base and includes an o-ring to help protect against moisture. The Firebolt LED has a built-in permanent/ ½" pipe mount base. Magnet mount models with cigarette plug are also available.



Magnetic mount cigarette plug option is available



Built-in permanent / ½" pipe mount



Shatterproof dome and base with o-ring protection against moisture

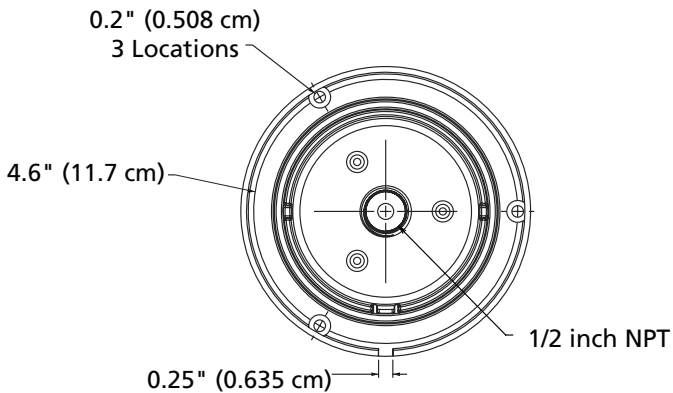
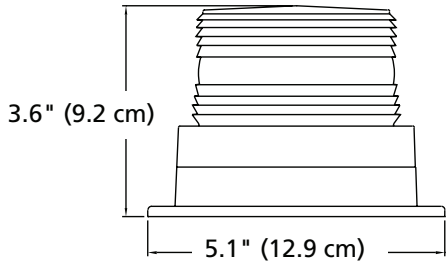


Specify model

- 220250-02 Permanent/pipe mount, 12-24 VDC, Amber; -03(Blue); -04(Red); -05(Clear); -06(Green)
- 220260-02 Magnet mount with cigarette-plug, 12-24 VDC, Amber; -03(Blue); -04(Red); -05(Clear); -06(Green)

Accessories and Kits

- 210539 "L" mounting bracket
- 210728 Kit, magnetic mount with cigarette plug
- 210850 Adapter, pipe mount, 3/4"
- 210881 Adapter, pipe mount, 1/2"
- 211676 Dome guard assembly, Chrome



Specifications

Voltage	12-24 VDC
Amp Draw	< 0.5A @ 12 VDC <0.25A @ 24 VDC

Number of LEDs	2
Approval	SAE Class 2

Physical Specifications

Height	3.6 in (9.2 cm)
Width	5.1 in (12.9 cm)

Ship Weight

1.3 lbs (0.6 kg)

Patterns and Flash Rates

Pattern	Name	Rate (FPM)
1	4 single 2 quad	120-60
2	7X flash	65
3	Chopped double	60
4	Single flash	60
5	Single flash	80
6	Single flash	120
7	Test	—
8	Double flash	80
9	Double flash	120
10	Triple flash	60
11	Triple flash	120
12	Pulsing double flash	80
13	Quad flash	60
14	Pulsing quad flash	60
15	5X flash	75



Firebolt and Power Select are trademarks of Federal Signal Corporation.

©2016 Federal Signal Corporation. M7203 I 716