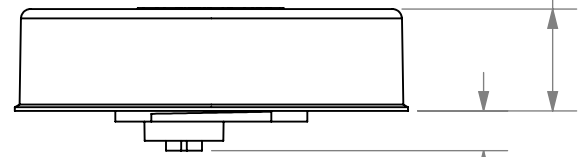
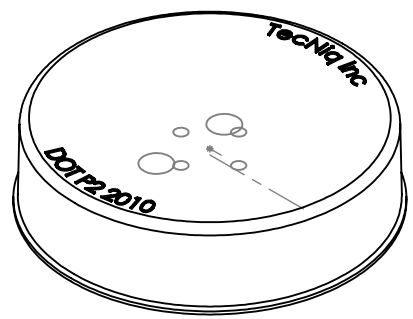
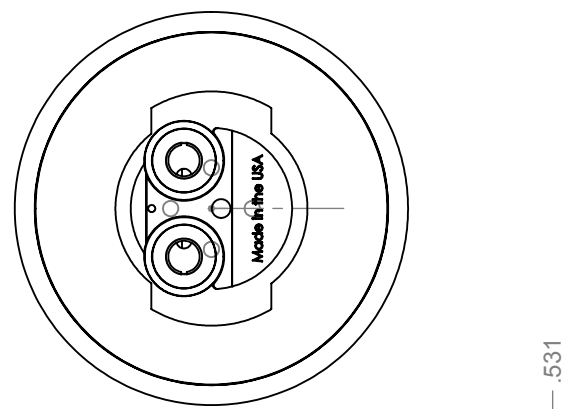
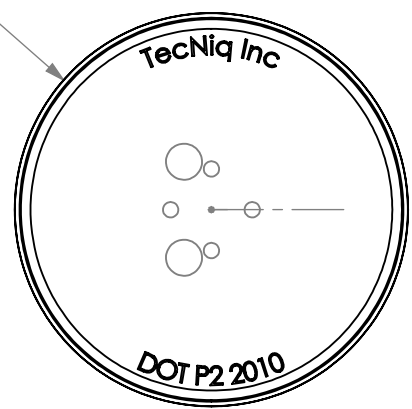


8 7 6 5 4 3 2 1

D  
C  
B  
A



Ø 2.047




.207

2" ROUND SIDEMARKER  
 SINGLE SYLVANIA OSRAM LED  
 WATERPROOF DESIGN  
 POLYCARBONATE LENS  
 STANDARD GROMMET  
 LENS IS FLUSH MOUNT WITH SURFACE  
 0.06 AMPS

**CONFIDENTIAL**

THE INFORMATION CONTAINED IN THIS DRAWING IS THE SOLE PROPERTY OF Dragonfish Technologies LLC. ANY REPRODUCTION IN PART OR WHOLE WITHOUT THE WRITTEN PERMISSION OF Dragonfish Technologies LLC IS PROHIBITED.

ITEM NO.	PART OR IDENTIFYING NO.	NOMENCLATURE OR DESCRIPTION	MATERIAL SPECIFICATION	QTY REQD
PARTS LIST				
UNLESS OTHERWISE SPECIFIED DIMENSIONS ARE IN INCHES TOLERANCES ARE:		CAD GENERATED DRAWING BY: <b>DRAGONFISH TECHNOLOGIES LLC</b>		
DECIMALS .X ±0.020 .XX ±0.010 .XXX ±0.003		 <b>S30-RR00-1</b> <b>S30-AA00-1</b> <b>SINGLE LED SIDEMARKERS</b>		
ANGLES X° ±1.0° X.X° ±0.5° X.XX° ±0.1°				
MATERIAL		APPROVALS	DATE	
FINISH --		DRAWN <b>JC</b>	3/1/2013	
<b>DO NOT SCALE DRAWING</b>		CHECKED		
		RESP ENG		
		MFG ENG		
		QUAL ENG		
SIZE A	DWG. NO.	SCALE 1	CAD FILE:	REV. A
			SHEET 1 OF 1	

8 7 6 5 4 3 2 1