

GE
Lighting

Lumination™ LED Luminaires

Downlights | RS Series



imagination at work



Luminous Affordability

Move up to the money-saving advantages of GE LED technology in a remarkably economical fixture. The new **GE Lumination RS Series LED DownLight** is the perfect retrofit for budget conscious office, retail, hospitality and residential applications. Designed as an easy one-to-one replacement for 4" and 6" incandescent, spiral CFL or Halogen recessed cans, it produces an impressive 700 lumens (70 LPW) in a dimmable format. Choose from 2700K and 3000K versions, each with 80 CRI. Utilizes the existing E26 or GU24 socket for fast, simple installation. Long 35,000-hour life and reduced energy & maintenance requirements provide ongoing savings. Get the luminous benefits of LED in an affordable solution from the innovative minds at GE.



Simulated image

Efficient Installation

Designed for quick installation to reduce your labor expense, these new fixtures fit easily inside the canister of the existing unit. Simply remove the old bulb and trim, screw the fixed base or pigtail base from the new fixture into the socket, and slide the fixture up into place. The unique friction clips hold the entire assembly neatly in place, while their curved design allows for easy removal and reinsertion. It's simple and quick and involves no new wiring. The finished look is cleaner across the face than many CFL and Halogen solutions; the lamp, reflector and trim ring are all seamlessly connected.



Features & Benefits

- Compatible with 6" and 4" recessed cans
- 700 lumens
- 70 LPW
- 2700K & 3000K color temps
- Dimmable
- Instant on
- 80 CRI
- Medium base and GU24 base options
- Matte white finish
- 5 year limited warranty

Applications

- Office
- Retail
- Hospitality
- Residential

LED Technology

- Energy Efficient (70 Lumens per Watt)
- Long Life (35,000 hrs.) minimizes need for maintenance
- Tested to LM79 & LM80 standards



Easily installs with E26
or GU24 socket



Easily installs in
standard sockets

Friction clips ensure
secure fit into existing
recessed cans

Narrow trim for sleek,
architectural look

Available in 4 or 6
inch models

Uniform illumination
with minimal glare
and no dot effects

A New Standard

Now any office, boutique, restaurant, hotel or residential space with a standard 12-foot ceiling has a superior LED solution that fits a tight budget. See the difference beautiful, even, consistent-color LED light makes. Set the perfect mood for your environment with a choice of color temperatures. Achieve significant savings from reduced operational costs and easy installation. Refresh your existing interior with a simple retrofit of **GE Lumination RS Series LED DownLights**...they set a new standard for luminous affordability.

a product of
ecomagination™

The GE Difference

Building on a reputation for quality and excellence that dates back to Edison's first electric light bulb, GE brings an unsurpassed depth and breadth of expertise to every product. Our commitment to providing the greatest value in high technologically solutions is stronger than ever. We deliver innovative options backed by the international reputation of our 130-plus years in the business.





Simulated image

Lumination™ LED Luminaires

RS Series



Product Description:

GE Lumination RS Series LED DownLights bring the performance and savings benefits of LED technology to office, retail, hospitality, residential and other applications. Designed as an easy one-to-one replacement for incandescent, spiral CFL or Halogen recessed cans, these 4" and 6" fixtures produce 700 lumens (70 LPW) in a dimmable format, come in a choice of color temperatures, have 80 CRI and are Energy Star certified. They utilize the existing E26 or GU24 socket to simplify installation. Long 35,000-hour life and reduced energy & maintenance requirements make them the perfect choice for budget conscious applications.

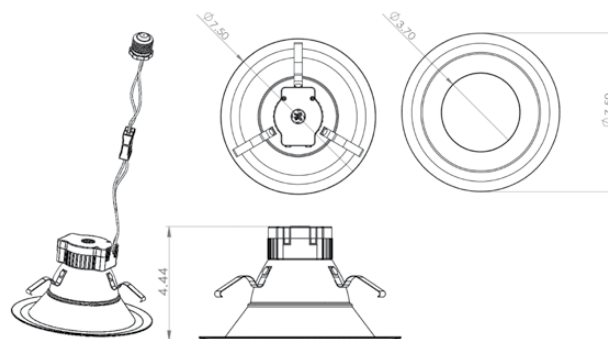
Performance Summary:

- Distribution Patterns:** Wide
- Delivered Lumen Output:** 700
- System Input Power:** 10 W
- System Efficacy (LPW):** 70
- Input Voltage:** 120V
- Standard Dimming Controls:** Smooth dimming down to 10%
- CCT:** 2700K, 3000K
- CRI:** 80+
- Lifetime Rating:** L70 @ 35,000 Hours
- Input Frequency (Hz):** 60Hz
- Power Factor:** >0.9
- Mounting Options:** Friction clips fit most 4" or 6" cans E26 and GU24 base options
- Weight:** 0.6 lb
- IC Rating:** Compatible with IC or non-IC housings
- Location Rating:** Damp
- Limited Warranty:** 5 years system
- Files Available:** LM79, LM80, IES

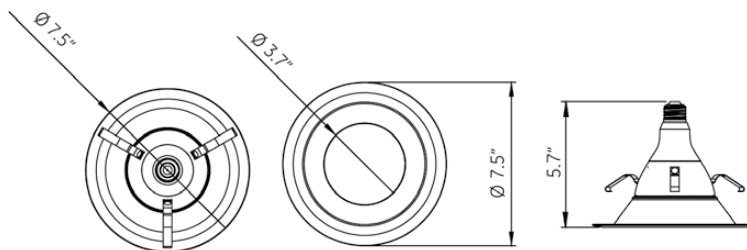
Product Dimensions:

RS Series

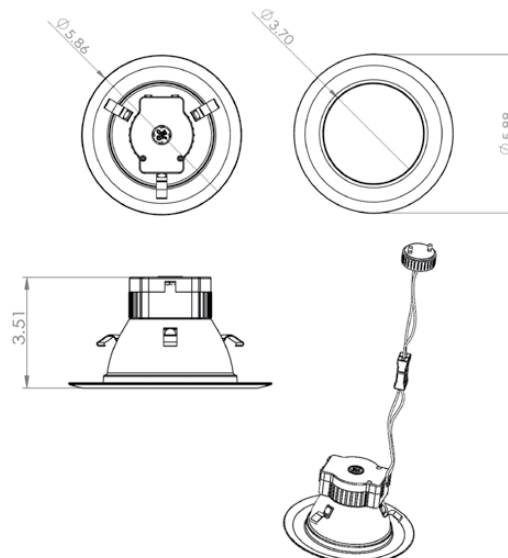
6 inch recessed can with E26 pigtail base




6 inch recessed can with E26 base



4 inch recessed can with pigtail base



Certified by: 

a product of
ecomagination™



Product Code	Description	Recessed Can Size	CCT	Base Type	CRI	Lumens	Watts	Base Attachment
85153	LED10RS6/827E26P	6"	2700K	E26	80	700	10	Pigtail
85160	LED10RS6/830E26P	6"	3000K	E26	80	700	10	Pigtail
95851	LED10RS6/827GUP	6"	2700K	GU24	80	700	10	Pigtail
95852	LED10RS6/830GUP	6"	3000K	GU24	80	700	10	Pigtail
95849	LED10RS6/827E26	6"	2700K	E26	80	700	10	Fixed
95850	LED10RS6/830E26	6"	3000K	E26	80	700	10	Fixed
95853	LED10RS4/827E26P	4"	2700K	E26	80	700	10	Pigtail
95854	LED10RS4/830E26P	4"	3000K	E26	80	700	10	Pigtail
95855	LED10RS4/827GUP	4"	2700K	GU24	80	700	10	Pigtail
95856	LED10RS4/830GUP	4"	3000K	GU24	80	700	10	Pigtail



www.gelighting.com

GE and the GE Monogram are trademarks of the General Electric Company. All other trademarks are the property of their respective owners. Information provided is subject to change without notice. All values are design or typical values when measured under laboratory conditions. GE Lighting and GE Lighting Solutions, LLC are businesses of the General Electric Company. © 2014 GE.

IND100 (Rev 09/22/14)