

Lumination™ LED Luminaires

RS6 - Six-Inch LED Downlights



Project name _____

Date _____

Type _____

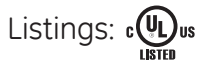
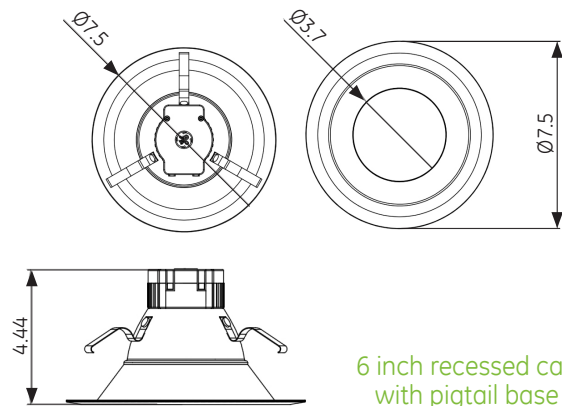
Product Description:

The Lumination RS6 LED downlights install in just minutes into most six-inch recessed housings, making the RS6 ideal for use in both retrofit and new construction applications. The RS6 delivers 700 or 1000 lumens at 70+ lumens per watt, bringing significant energy savings to residential, light commercial, and hospitality environments. All downlights in the RS family have instant-on, standard 120V dimming, and a uniform lit appearance, delivering premium performance in a compact, economical package.

Targeted Performance Summary:

Distribution Patterns: Wide
Delivered Lumen Output: 700, 1000
System Input Power: 10W, 13W
System Efficacy (LPW): 70 (10W), 75 (13W)
Input Voltage: 120V
Standard Dimming Controls: Smooth dimming down to 10%
CCT: 2700K, 3000K
CRI: 80+
Lifetime Rating: L70 @ 50,000 Hours
Input Frequency (Hz): 60Hz
Power Factor: >0.9
Mounting Options: Friction clips fit most 6" cans. E26 and GU24 base options.
Weight: 0.6 lb
IC Rating: Compatible with IC or non-IC housings.
Limited Warranty: 5 years system
Files Available: LM79, LM80, IES

Product Dimensions:



- UL and cUL Listed.
- Suitable for damp locations.

a product of
ecomagination™



Ordering Information:

PRODUCT CODE	DESCRIPTION	RECESSED CAN SIZE	CCT	BASE TYPE	CRI	LUMENS	WATTS	LPW	RATED LIFE L70 (Hrs.)	DIMMABLE	LOCATION RATING	BASE ATTACHMENT
85153	LED10RS6/827E26P	6"	2700K	E26	80	700	10	70	50,000	Yes	Damp	Pigtail
85160	LED10RS6/830E26P	6"	3000K	E26	80	700	10	70	50,000	Yes	Damp	Pigtail
95851	LED10RS6/827GUP	6"	2700K	GU24	80	700	10	70	50,000	Yes	Damp	Pigtail
95852	LED10RS6/830GUP	6"	3000K	GU24	80	700	10	70	50,000	Yes	Damp	Pigtail
70120	LED13RS6/827E26P	6"	2700K	E26	80	1000	13	75	50,000	Yes	Damp	Pigtail
70122	LED13RS6/830E26P	6"	3000K	E26	80	1000	13	75	50,000	Yes	Damp	Pigtail
70124	LED13RS6/827GUP	6"	2700K	GU26	80	1000	13	75	50,000	Yes	Damp	Pigtail
70127	LED13RS6/830GUP	6"	3000K	GU26	80	1000	13	75	50,000	Yes	Damp	Pigtail

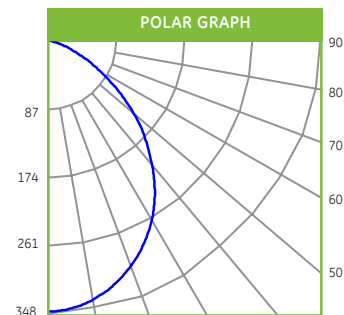


Photometric Data: Lumination™ RS6

RS6 - 700 Lumen

		COEFFICIENTS OF UTILIZATION																				
		80%				70%				50%				30%				10%				0%
RC	RW	70%	50%	30%	10%	70%	50%	30%	10%	50%	30%	10%	50%	30%	10%	50%	30%	10%	50%	30%	10%	0%
0	119	119	119	119	119	116	116	116	116	111	111	111	106	106	106	102	102	102	102	102	102	100
1	111	107	104	101	108	105	102	99	101	98	96	97	95	93	93	92	92	90	88	88	88	88
2	103	96	90	85	100	94	89	84	90	86	82	87	84	81	84	81	84	81	79	77	77	77
3	95	86	79	73	92	84	78	73	81	76	71	79	74	70	76	72	69	67	67	67	67	67
4	88	77	69	64	85	76	69	63	73	67	62	71	66	61	69	65	61	59	59	59	59	59
5	81	70	62	56	79	69	61	56	67	60	55	65	59	54	63	58	54	52	52	52	52	52
6	75	63	55	50	74	62	55	49	61	54	49	59	53	49	58	52	48	46	46	46	46	46
7	70	58	50	44	69	57	50	44	56	49	44	54	48	44	53	47	43	41	41	41	41	41
8	66	53	45	40	64	53	45	40	51	44	40	50	44	39	49	43	39	37	37	37	37	37
9	61	49	41	36	60	48	41	36	47	41	36	46	40	36	45	40	36	34	34	34	34	34
10	58	45	38	33	57	45	38	33	44	37	33	43	37	33	42	37	33	31	31	31	31	31

NOTE: Floor Cavity Reflectance : 20%



CANDLEPOWER SUMMARY	
Angle	Candela
0	348
5	346
15	325
25	289
35	239
45	176
55	106
65	47
75	12
85	2
90	0

ZONAL LUMEN SUMMARY		
Zone	Lumens	% of Fixture
0 - 30°	257	36.8
0 - 40°	406	58
0 - 60°	636	90.9
0 - 90°	700	100

CONE OF LIGHT		
Height	fc	Dia. (ft.)
4'	22	8.0
6'	10	12.0
8'	5	16.0
10'	3	20.0

APPLICATION REFERENCE (Open Space)		
Spacing	Avg. fc	W/ft²
4' x 4'	41.5	0.64
6' x 6'	19.4	0.30
8' x 8'	10.4	0.16
10' x 10'	6.9	0.11

10' ceiling, Open Space: 50' x 40' x 10'
LLF: 1.0 Initial, 80/50/20 Reflectances, 2.5' workplane

APPLICATION REFERENCE (Corridor)		
Spacing	Avg. fc	W/ft²
4' on ctr.	14.5	0.44
6' on ctr.	9.9	0.30
8' on ctr.	7.0	0.21
10' on ctr.	5.8	0.18

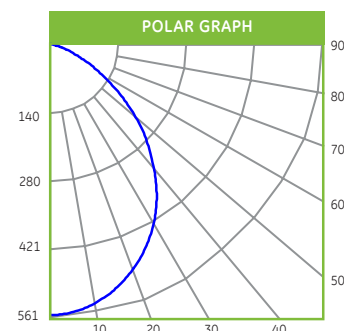
10' ceiling, Corridor: 6' W x 100' L
LLF: 1.0 Initial, 80/50/20 Reflectances, Light levels on the ground

Spacing Criteria: 1.16

RS6 - 1000 Lumen

		COEFFICIENTS OF UTILIZATION																				
		80%				70%				50%				30%				10%				0%
RC	RW	70%	50%	30%	10%	70%	50%	30%	10%	50%	30%	10%	50%	30%	10%	50%	30%	10%	50%	30%	10%	0%
0	119	119	119	119	119	116	116	116	116	111	111	111	106	106	106	102	102	102	102	102	102	100
1	112	108	105	102	109	106	103	100	102	99	97	98	96	94	94	93	91	89	89	89	89	89
2	104	97	92	87	101	95	90	86	92	88	84	89	85	82	86	83	81	79	79	79	79	79
3	96	88	81	76	94	86	80	75	83	78	74	81	76	73	78	75	71	70	70	70	70	70
4	89	79	72	66	87	78	71	66	76	70	65	73	68	64	71	67	63	62	62	62	62	62
5	83	72	64	59	81	71	64	58	69	63	58	67	62	57	65	61	57	55	55	55	55	55
6	77	66	58	52	76	65	58	52	63	57	52	62	56	51	60	55	51	49	49	49	49	49
7	72	60	53	47	71	60	52	47	58	52	47	57	51	46	55	50	46	44	44	44	44	44
8	68	56	48	43	66	55	48	43	54	47	42	52	47	42	51	46	42	40	40	40	40	40
9	63	51	44	39	62	51	44	39	50	43	39	49	43	39	48	42	38	37	37	37	37	37
10	60	48	41	36	59	47	40	36	46	40	36	45	40	35	45	39	35	34	34	34	34	34

NOTE: Floor Cavity Reflectance : 20%



CANDLEPOWER SUMMARY	
Angle	Candela
0	560
5	555
15	518
25	451
35	363
45	248
55	125
65	46
75	12
85	1
90	0

ZONAL LUMEN SUMMARY		
Zone	Lumens	% of Fixture
0 - 30°	405	40.6
0 - 40°	632	63.3
0 - 60°	937	93.7
0 - 90°	1000	100

CONE OF LIGHT		
Height	fc	Dia. (ft.)
4'	35	7.3
6'	16	11.0
8'	9	14.7
10'	6	18.3

APPLICATION REFERENCE (Open Space)		
Spacing	Avg. fc	W/ft²
4' x 4'	60	0.81
6' x 6'	28	0.38
8' x 8'	15	0.20
10' x 10'	10	0.14

10' ceiling, Open Space: 50' x 40' x 10'
LLF: 1.0 Initial, 80/50/20 Reflectances, 2.5' workplane

APPLICATION REFERENCE (Corridor)		
Spacing	Avg. fc	W/ft²
4' on ctr.	21.7	0.56
6' on ctr.	14.7	0.38
8' on ctr.	10.4	0.27
10' on ctr.	8.7	0.23

10' ceiling, Corridor: 6' W x 100' L
LLF: 1.0 Initial, 80/50/20 Reflectances, Light levels on the ground

Spacing Criteria: 1.12

Product Specifications:

Construction:

- 16 gauge steel housing resists dents during transportation and installation
- Spring steel mounting clips allow for several reinsertions without deformation

Installation:

- Edison base installs into standard sockets
- Universal mounting clips install into standard 6" downlight housings in minutes
- Unique mounting clip design delivers a secure hold with easy removability

Optical System:

- Flat lens for sleek, modern appearance
- Edge-to-edge, uniform lit appearance with no hot spots or pixelation
- Highly transmissive lens material for optimal combination of light transmission while diffusing LEDs from direct view

Electrical System:

- Integrated, high-efficiency driver with power factor > 0.9
- Dimmable to 10% with most incandescent dimmers
- Instant-on

For more information and access to all of our resources, including our design tool visit: www.gelighting.com



www.gelighting.com

GE and the GE Monogram are trademarks of the General Electric Company. All other trademarks are the property of their respective owners. Information provided is subject to change without notice. All values are design or typical values when measured under laboratory conditions. GE Lighting and GE Lighting Solutions, LLC are businesses of the General Electric Company. © 2015 GE.

IND098 (Rev 4/10/15)