

# SORAA LED MR16

## 9W



<b>OUTPUT RANGE: VIVID SERIES</b>	465 - 490 lumen; CRI-95, R9>90
<b>OUTPUT RANGE: BRILLIANT SERIES</b>	560 - 590 lumen; CRI-80
<b>BEAM ANGLE RANGE</b>	25°, 36°
<b>COLOR TEMPERATURE RANGE</b>	2700K, 3000K
<b>APPLICATION</b>	Halogen replacement for indoor & outdoor applications



### POINT SOURCE OPTICS

Exceptional beam control with smooth uniform beams  
Single light source, single crisp shadow

### VP<sub>3</sub> VIVID COLOR AND VP<sub>3</sub> NATURAL WHITE

VIVID series provides accurate color rendering across the visible spectrum from 400nm to 700nm, CRI-95, R9>90  
Accurate white rendering based on >70% excitation of Optical Brightening Agents with emission between 400nm & 440 nm

### ENERGY EFFICIENCY AND LONG LIFE

85% more energy efficient than standard halogen lamps  
Typical payback of one year or less  
Rated lifetime of 35,000 hours. Three year warranty

### CERTIFICATIONS

UL/CUL Class 2 and non-Class 2, FCC Title 47 Part 15B, RoHS, CE

### HIGHLY COMPATIBLE

Thermally and geometrically compatible with standard fixtures  
Suitable for fully enclosed fixtures per UL 1993. Can be used with front glass cover  
Suitable for damp locations per UL  
Works with trailing edge and leading edge phase cut dimmers, 12V AC magnetic and electronic transformers and 12V DC transformers (see [www.soraa.com/resources](http://www.soraa.com/resources))

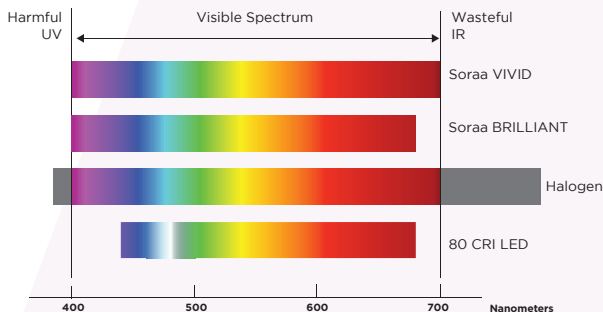
### INTENDED USE AND APPLICATIONS

Intended for use in MR16 compatible recessed downlights, track lighting and other indoor and outdoor applications  
Soraa lamps are designed to safely turn down in any thermal environment not conducive to minimum airflow or proper ventilation

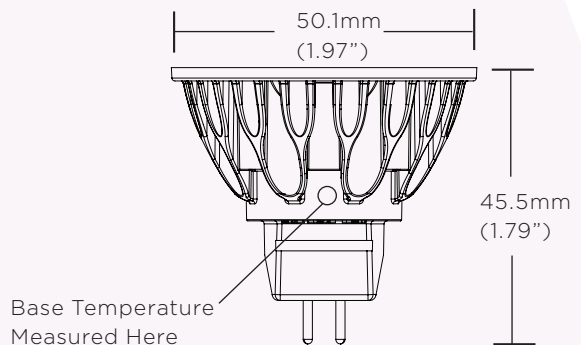
### GENERAL SPECIFICATIONS

Form Factor	Operating Temperature	Electrical
Width: 50.1mm (1.97")	Minimum: -40°C (ambient)	Wattage: 9W
Height: 45.5mm (1.79")	Typical: 80°C - 90°C (base)	Power factor: 0.92
Weight: 47g	Maximum: 100°C (base)	Voltage: 12V +/- 1.2V
		Dimmable to < 20%

### COLOR RENDERING



### DIMENSIONS



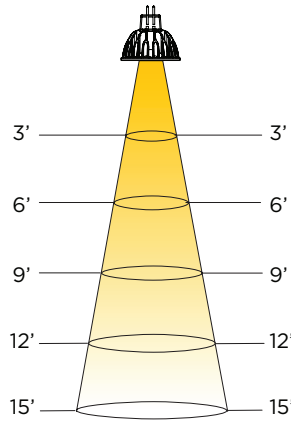
# SORAA LED MR16 9W

## BEAM DIAGRAM

### Narrow Flood 25°

Beam Dia at 50% CBCP (ft)	Field Dia at 10% CBCP (ft)	Foot-candles (% of CBCP)
1.3	2.2	11.1%
2.7	4.4	2.8%
4.0	6.6	1.2%
5.3	8.7	0.7%
6.7	10.9	0.4%

Distance to Floor (Feet)



### Flood 36°

Beam Dia at 50% CBCP (ft)	Field Dia at 10% CBCP (ft)	Foot-candles (% of CBCP)
1.9	3.3	11.1%
3.9	6.5	2.8%
5.8	9.8	1.2%
7.8	13.0	0.7%
9.7	16.3	0.4%

Note: Footcandles may be calculated by multiplying the CBCP of the desired model number by the percentage in the tables above

## SPECIFICATIONS BY MODEL NUMBER\*

Model Number	Reference Number	Product Code	CCT (K)	Beam Angle (°)	CBCP (Cd)	Halogen Equivalent** (Watts)	Total Flux (Lm)	Efficacy (Lm/W)	CRI/ R9	White Point (McA)
<b>SORAA VIVID SERIES</b>										
SM16-09-25D-927-03	MR16-65-B01-12-927-25	00955	2700	25	2570	60	465	52	95/95	3
SM16-09-36D-927-03	MR16-65-B01-12-927-36	00963	2700	36	1210	60	465	52	95/95	3
SM16-09-25D-930-03	MR16-65-B01-12-930-25	00959	3000	25	2700	60	490	54	95/95	3
SM16-09-36D-930-03	MR16-65-B01-12-930-36	00967	3000	36	1280	60	490	54	95/95	3
<b>SORAA BRILLIANT SERIES</b>										
SM16-09-25D-827-03	MR16-75-B01-12-827-25	00953	2700	25	3090	75	560	62	80/>0	3
SM16-09-36D-827-03	MR16-75-B01-12-827-36	00961	2700	36	1460	75	560	62	80/>0	3
SM16-09-25D-830-03	MR16-75-B01-12-830-25	00957	3000	25	3260	75	590	66	80/>0	3
SM16-09-36D-830-03	MR16-75-B01-12-830-36	00965	3000	36	1540	75	590	66	80/>0	3

\*Specifications are at stable warm operating conditions (25°C ambient) \*\*Energy Star Minimum

CCT = Correlated Color Temperature CRI = Color Rendering Index (Ra-8) White Point = White Point Accuracy in McA step

## SAFETY NOTE ON HEAT

Although Soraa's lamps operate at cooler temperatures than halogen lamps, it is recommended that gloves be worn when handling bare lamps that have been energized.

Information and specifications subject to change. SM16 9W Rev 1 10.09.14

Soraa Inc. 6500 Kaiser Drive, Suite 110, Fremont, CA 94555  
855 GO-SORAA / 855 467-6722 www.soraa.com